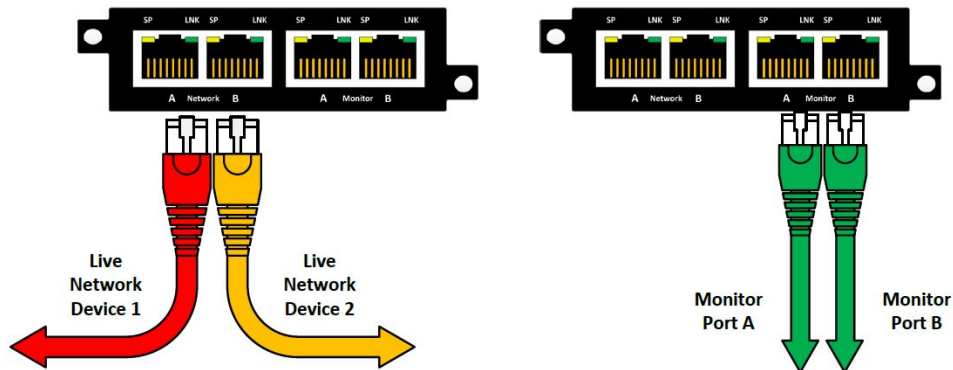


P1GCCB Datasheet / Quickstart Guide

P1GCCB Tap Overview

The portable/rack-mount **Breakout TAP** is ideal for **network monitoring** and **troubleshooting**. It can be easily installed into **any copper 10/100/1000M**. Once installed, the **P1GCCB** will enable you to connect monitoring probe to troubleshoot and analyze your network segments without dropping any packets.



Quickstart

To deploy the P1GCCB Portable Tap into your network, simply:

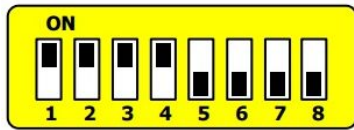
- **Unpack** the network TAP and **attach** it to the optional **rack mount bracket** (sold separately).
- **Configure DIP switches** located on the back of the TAP next to the power supply.
- **Install** network TAP into the live network (**this needs to be done with no power connected to the TAP**).
- **Using two** straight through **Ethernet cables**, connect ports **[A]** and **[B]** of the **P1GCCB** between the two **live network devices** where monitoring is desired. Again, with **NO POWER to the TAP** verify network traffic is flowing. Traffic will flow with no power to the tap.
- **If traffic does not flow**, then we need to **verify network speeds and duplexing**. In 10M and 100M environments, one straight through cable and one crossover cable may be required.
- **Verify** live network is up and running.
- **Power up** the TAP.
- **Connect ports [C]** and **[D]** of the **P1GCCB** to the monitoring tools for **directional network monitoring**.

Configuration

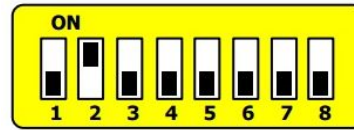
DIP Switch Setup (requires Power Cycle)

Speed	Speed	Duplex	LFP	N/A	N/A	N/A	N/A
1	2	AUTO	ON	5	6	7	8
		FULL	OFF				

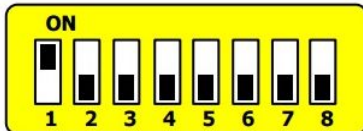
Configuration Examples



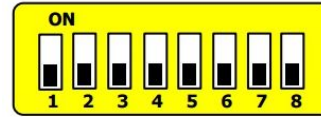
1 GIGABIT | AUTO | LFP ON



100MB | FULL | LFP OFF



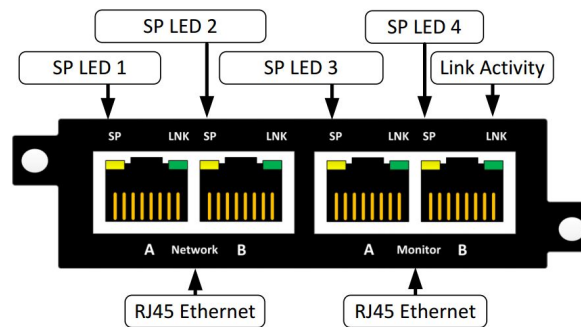
10MB | FULL | LFP OFF



SYNCHRONIZATION | AUTO | LFP

LED Labeling

When in the **Synchronization Mode** the **SP LEDs** will show you what **speed** has been **synchronized** for the link. Below is a diagram and chart showing the LED operations.



LED Indicators based on Speed Settings	Switch 1	Switch 2	SP LED 1	SP LED 2	SP LED 3	SP LED 4
1Gbps	ON	ON			ON	ON
100Mbps	OFF	ON	Indicates Lost Link. If Amber - lost link on Port A	Indicates Lost Link. If Amber - lost link on Port B	ON	OFF
10Mbps	ON	OFF			OFF	ON
Sync Mode	OFF	OFF	Indicates 1G	Indicates 100M	Indicates 10M	Indicates Negotiation